



# SEWAGE PUMP ATP 10 R

Sewage water • 3~ 400V 50 Hz

**FULL MOTOR PROTECTION**  
Automatic direction of rotation  
Overload protection ( PTC )  
Low voltage protection  
Phase failure protection  
Mechanical seal monitoring  
Automatic restart safety lock

Encapsulated e-motor  
Dry-running safe  
Oil- & Silicone-free  
Maintenance-free

28 kg total  
with cable and plug

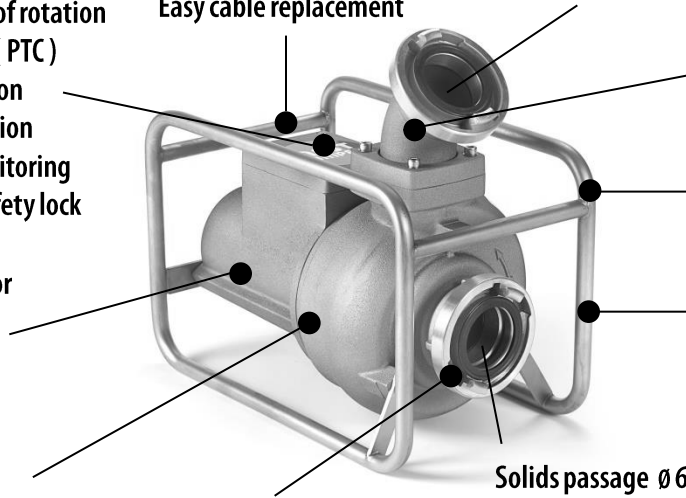
Pull-out protection  
Easy cable replacement

Q max. 1.200 l/min.

Turnable discharge 45°

Tubular frame  
without sharp edges

Low level pumping by tilting 90°  
no accessories required



Solids passage  $\varnothing$  65 mm

Suitable for series connection  
(Storz B-Coupling at intake)

## APPLICATION AREA:

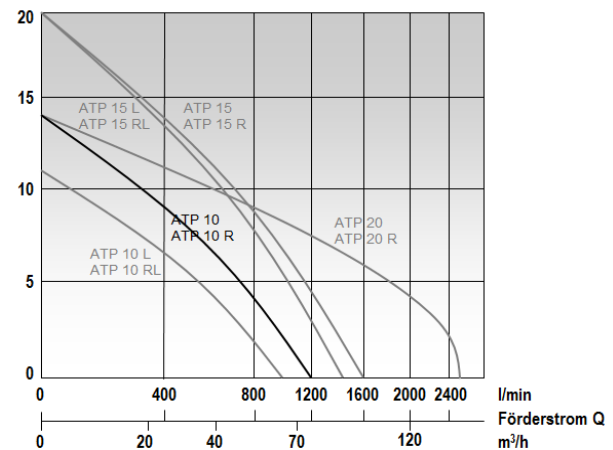
Raw sewage water with long-fibrous impurities and solids.

Max. submersion:  $\leq$  20 m  
Max. liquid temperature:  $\leq$  60°C  
Max. liquid density:  $\leq$  1,1 kg/dm<sup>3</sup>  
pH-limitations: 5-8

## FLOW RATE:

Q l/min	H m (WC)
1200	0
1030	3
780	5
300	10
0	14

Förderhöhe m (WS)



Q l/min at H m (Watercolumn), valid for  $\rho = 1 \text{ kg/dm}^3$  and kinematic viscosity  $\eta = 1 \text{ mm}^2/\text{s}$ .  
Flow rate and efficiency DIN 1944. Accuracy level III.

## CHARACTERISTICS:

Pump type: 3~ 400 V Three-phase AC 50 Hz  
Power  $P_1 / P_2$ : 2,0 / 1,5 kW  
Rated current: 3,6 A  
Shaft speed: 2800 UPM  
Total weight: 28 kg incl. cable & plug  
Dimensions: L 44 x W 26 x H 43 cm  
Connections: G 3"/G 2½" male (Intake/Discharge)  
Discharge Conn.: STORZ Size B (75 mm)  
Solid passage:  $\varnothing$  65 mm  
Cable: H 07 RN-F 4G1,5 (20 m)  
Plug: CEE 16A On/Off-Switch 5-pole IP45 (IP67 optional)

## MATERIALS:

Tubular frame: Stainless steel 1.4301  
Motor housing: Aluminum alloy acc. to DIN EN 1706\*  
Pump housing: Aluminum alloy acc. to DIN EN 1706\*  
Rotor shaft: Stainless steel 1.4021  
Impeller: Special cast iron acc. to DIN EN 1563\*\*  
Screws: Stainless steel A2  
Gaskets: Mineral oil resistant elastomer  
Mechanical seal: Carbon / Ceramics

\*seawater resistant at mobile application, corrosion-resistant

\*\*wear-resistant, unbreakable



MAST PUMPEN GmbH  
Pump manufacturer  
Mörikestr. 1 • D-73773 Aichwald

+49 711 936704-0  
info@mast-pumpen.de  
www.mast-pumpen.de

Specification can change without notice\_01/17