



# SEWAGE PUMP ATP 15 R

Sewage water • 3~ 400V 50 Hz

**FULL MOTOR PROTECTION**  
Automatic direction of rotation  
Overload protection ( PTC )  
Low voltage protection  
Phase failure protection  
Mechanical seal monitoring  
Automatic restart safety lock

Encapsulated e-motor  
Dry-running safe  
Oil- & Silicone-free  
Maintenance-free

39 kg total  
with cable and plug

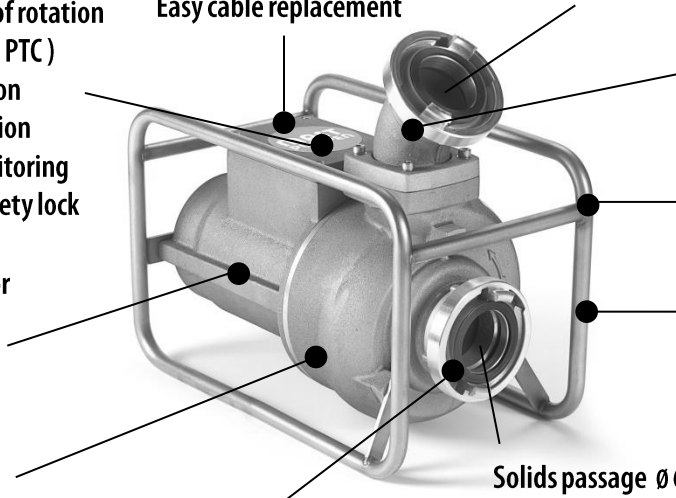
Pull-out protection  
Easy cable replacement

Q max. 1.600 l/min.

Turnable discharge 45°

Tubular frame  
without sharp edges

Low level pumping by tilting 90°  
no accessories required



Solids passage  $\varnothing$  65 mm

Suitable for series connection  
(Storz B-Couplung at intake)

## APPLICATION AREA:

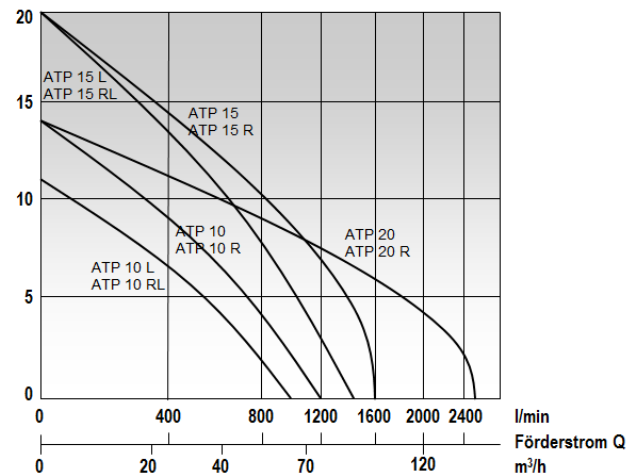
Raw sewage water with long-fibrous impurities and solids.

Max. submersion:  $\leq 20$  m  
Max. liquid temperature:  $\leq 60^{\circ}\text{C}$   
Max. liquid density:  $\leq 1,1 \text{ kg/dm}^3$   
pH-limitations: 5-8

## FLOW RATE:

Q l/min	H m (WC)
1600	0
1240	5
810	10
330	15
0	20

Förderhöhe H m



Q l/min.at H m (Watercolumn), valid for  $\rho = 1 \text{ kg/dm}^3$  and kinematic viscosity  $\eta = 1 \text{ mm}^2/\text{s}$ .  
Flow rate and efficiency DIN 1944. Accuracy level III.

## CHARACTERISTICS:

Pump type: 3~ 400V Three-phase 50Hz  
Power  $P_1 / P_2$ : 3,1 / 2,6 kW  
Rated current: 5,4 A  
Shaft speed: 2800 UPM  
Total weight: 39 kg incl. cable & plug  
Dimensions: L 46 x W 26 x H 43 cm  
Connections: G 3"/G 2½" male (Intake/Discharge)  
Discharge Conn.: STORZ Size B (75 mm)  
Solid passage:  $\varnothing$  65 mm  
Cable: H 07 RN-F 4G1,5 (20 m)  
Plug: CEE 16A On/Off-Switch 5-pole IP45 (IP67 optional)

## MATERIALS:

Tubular frame: Stainless steel 1.4301  
Motor housing: Aluminum alloy acc. to DIN EN 1706\*  
Pump housing: Aluminum alloy acc. to DIN EN 1706\*  
Rotor shaft: Stainless steel 1.4021  
Impeller: Special cast iron acc. to DIN EN 1563\*\*  
Gaskets: Stainless steel A2  
Seals: Mineral oil resistant elastomer  
Mechanical seal: Carbon / Ceramics

\*seawater resistant at mobile application, corrosion-resistant

\*\*wear-resistant, unbreakable



MAST PUMPEN GmbH  
Pump manufacturer  
Mörkestr. 1 • D-73773 Aichwald

+49 711 936704-0  
info@mast-pumpen.de  
www.mast-pumpen.de

Technische Änderungen vorbehalten. V\_01/17